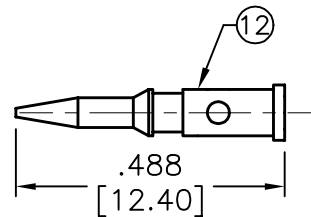
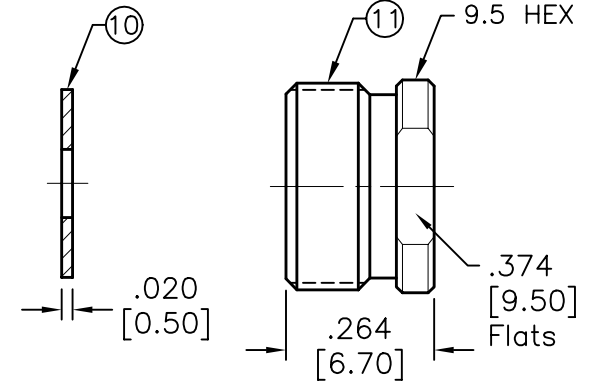
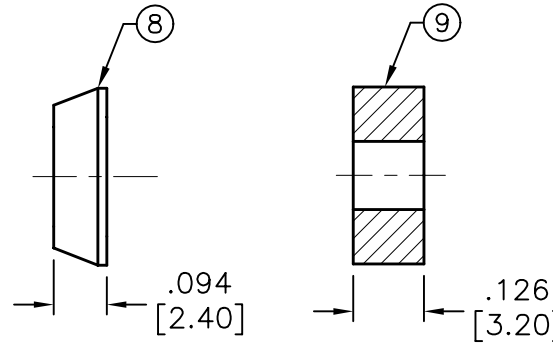
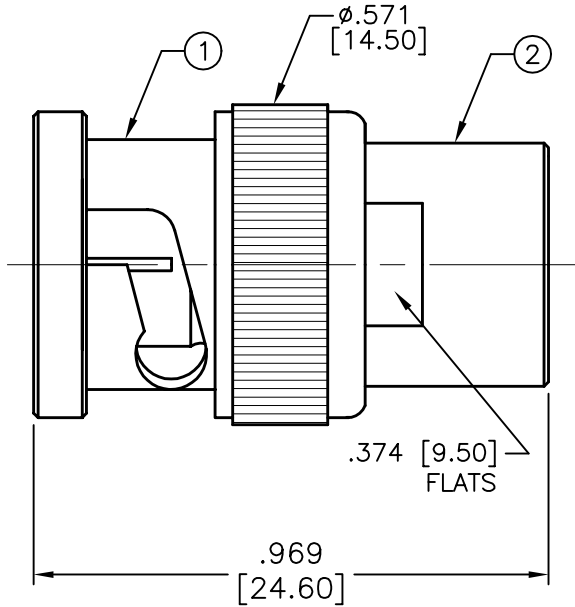
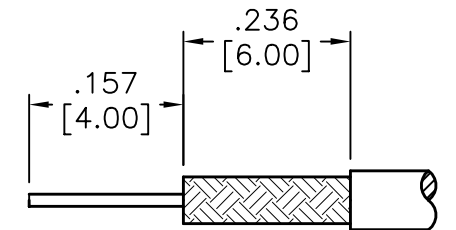


REVISIONS

DCP #	REV	DESCRIPTION	DRAWN	DATE	CHECKD	DATE	APPRVD	DATE
809	A	RELEASED	JWM	4/21/03	HO	4/21/03	DJC	4/21/03



RECOMMENDED CRIMP DIE: .068



RECOMMENDED STRIPPING DIM'S

1	SHELL	1	BRASS	NICKEL, 100 μ "
2	BODY	1	BRASS	NICKEL, 100 μ "
3	INSULATOR	1	PTFE	---
4	GASKET	1	RUBBER	---
5	RETAINER RING	1	BRASS	NICKEL, 100 μ "
6	SPRING	1	SK5	NICKEL, 100 μ "
7	WASHER	1	BRASS	NICKEL, 100 μ "
8	CLAMP	1	BRASS	NICKEL, 100 μ "
9	GASKET	1	SILICONE	---
10	WASHER	1	BRASS	NICKEL, 100 μ "
11	BACK NUT	1	BRASS	NICKEL, 100 μ "
12	PIN	1	BRASS	GOLD, 3 μ "
#	DESCRIPTION	QTY	MATRL	FINISH

SPECIFICATIONS:

IMPEDANCE: 50 Ohms
 FREQUENCY RANGE: 0-4 GHz
 VSWR: 1.3 Max.
 WORKING VOLTAGE: 500 V rms @ sea level
 TEMPERATURE RANGE: -65°C TO 85°C
 INSULATION RESISTANCE: 5,000 Megohms min.
 FOR RG-174, 188, 188A, 316/U, ALPHA 9174, 9316,
 BELDEN 8216, 83269, 83284, 84316 & TIMES LMR-100A CABLE

DISCLAIMER:
 ALL STATEMENTS AND TECHNICAL INFORMATION CONTAINED HEREIN ARE BASED UPON INFORMATION AND/OR TESTS WE BELIEVE TO BE ACCURATE AND RELIABLE. SINCE CONDITIONS OF USE ARE BEYOND OUR CONTROL, THE USER SHALL DETERMINE THE SUITABILITY OF THE PRODUCT FOR THE INTENDED USE AND ASSUME ALL RISK AND LIABILITY WHATSOEVER IN CONNECTION THEREWITH.

TOLERANCES:
 UNLESS OTHERWISE SPECIFIED, DIMENSIONS ARE FOR REFERENCE PURPOSES ONLY.

DRAWN BY:	DATE:
Jeff McVicker	4/21/03
CHECKED BY:	DATE:
Hisham Odish	4/21/03
APPROVED BY:	DATE:
Daniel Carey	4/21/03

DRAWING TITLE: BNC Plug, Clamp			
SIZE	DWG. NO.	ELECTRONIC FILE	REV
A	SPC11223	34C5624.dwg	A
SCALE: NTS	U.O.M.: INCHES [mm]	SHEET: 1 OF 1	