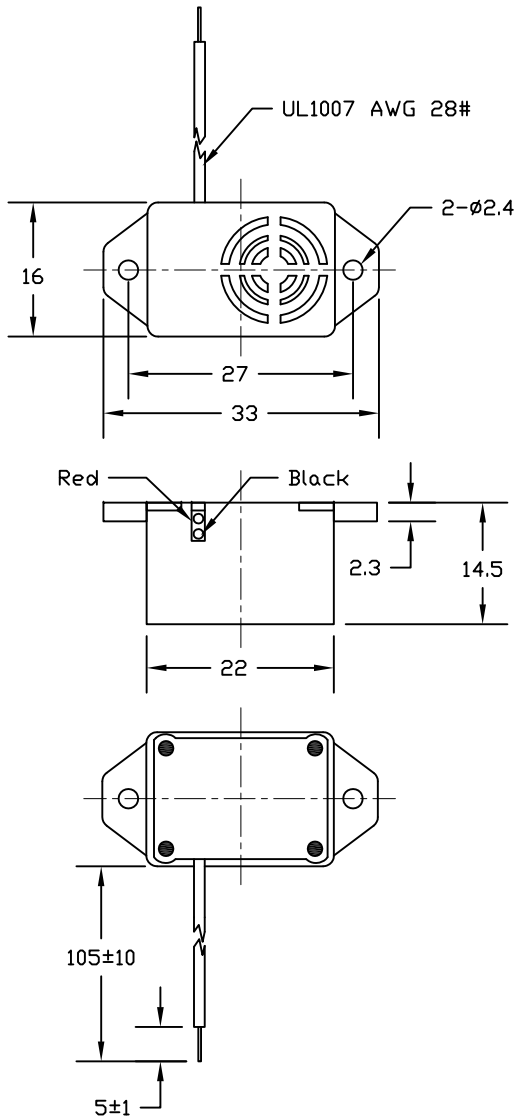


REVISIONS

DCP #	REV	DESCRIPTION	DRAWN	DATE	CHECKD	DATE	APPRVD	DATE
2070	A	Released	JN	09-03-09	JWM	09-03-09	JWM	09-03-09



Specification

1. Rated Voltage: 3VDC
2. Operating Voltage: 2~5VDC
3. Max. Rated Current: 30mA/3VDC
4. Min Sound Pressure Level: 75dB/20cm
5. Resonant Frequency: 400 \pm 100Hz
6. Response Time: 50ms
7. Case Material/Color: ABS/White
8. Operating Temperature: -20~+60°C
9. Store Temperature: -30~+70°C
10. Weigh: 10g

DISCLAIMER:
ALL STATEMENTS AND TECHNICAL INFORMATION CONTAINED HEREIN ARE BASED UPON INFORMATION AND/OR TESTS WE BELIEVE TO BE ACCURATE AND RELIABLE. SINCE CONDITIONS OF USE ARE BEYOND OUR CONTROL, THE USER SHALL DETERMINE THE SUITABILITY OF THE PRODUCT FOR THE INTENDED USE AND ASSUME ALL RISK AND LIABILITY WHATSOEVER IN CONNECTION THEREWITH.

TOLERANCES:

UNLESS OTHERWISE SPECIFIED, DIMENSIONS ARE FOR REFERENCE PURPOSES ONLY.

DRAWN BY:

Jason Nash

CHECKED BY:

Jason Nash

APPROVED BY:

Jason Nash

DATE:

09-03-09

DATE:

09-03-09

DATE:

09-03-09

DRAWING TITLE:

MECHANICAL BUZZER

SIZE DWG. NO.

A MCKPMB-G2203L-K4086

ELECTRONIC FILE

25R0727.dwg

REV

A

SCALE: NTS

U.O.M.: INCHES [mm]

SHEET: 1 OF 1