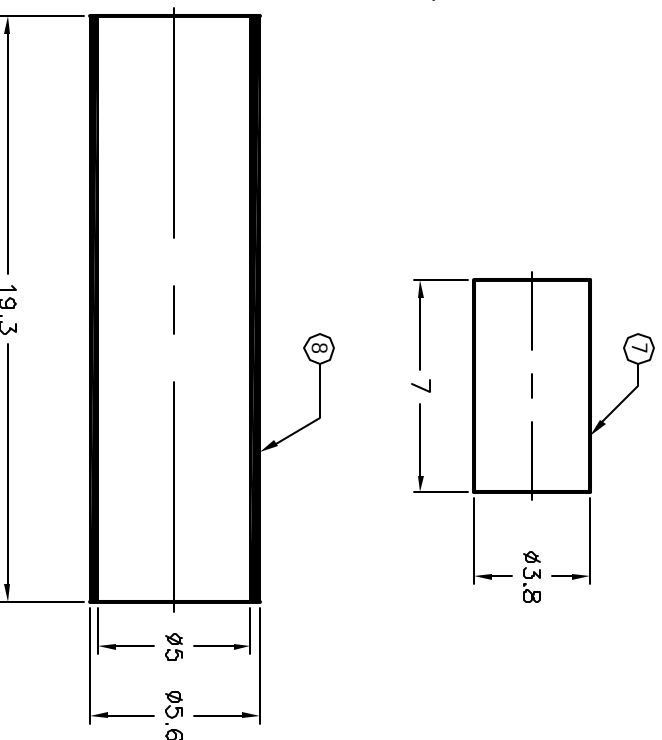
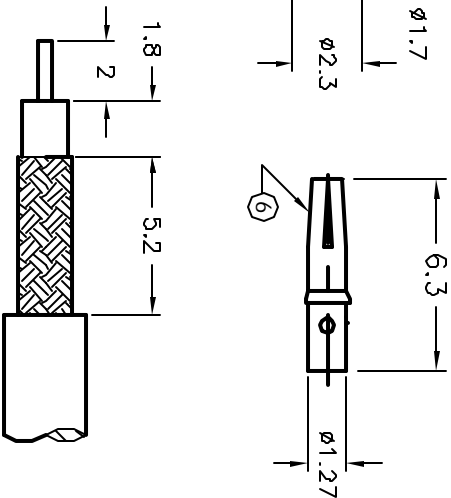
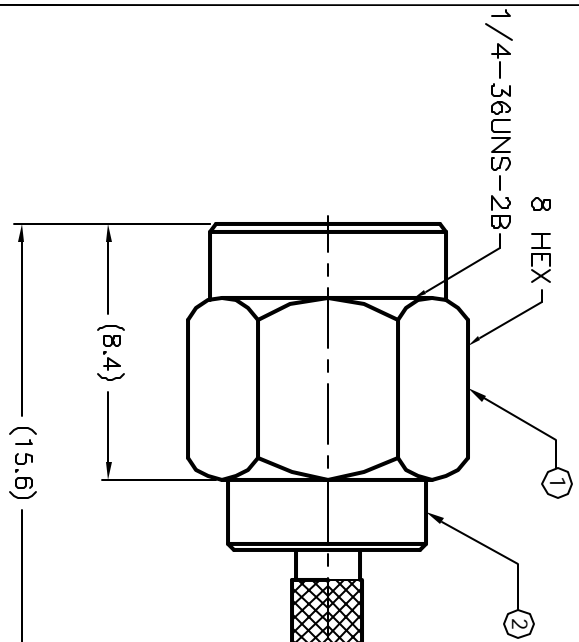


REVISIONS		DOC. NO. SPC-F006	Effective 7/8/02	DCP No 1308				
DCP #	REV	DESCRIPTION	DRAWN	DATE	CHECKD	DATE	APPRVD	DATE
1614	A	RELEASED	JWM	12/23/03	HQ	04/03/08	JC	04/03/08



#	DESCRIPTION	QTY.	MATRL.	FINISH
1	COUPLING NUT	1	BRASS	NICKEL
2	BODY	1	BRASS	GOLD 3 MICRO
3	INSULATOR	1	PTFE	---
4	RETAINER RING	1	BE. CU.	NICKEL
5	GASKET	1	SILICONE	Red
6	CONTACT PIN	1	BE. CU.	GOLD 50 MICRO
7	FERRULE	1	COPPER	GOLD 3 MICRO
8	SHRINK TUBE	1	---	Black

TOLERANCES:

DISCLAIMER: ALL STATEMENTS AND TECHNICAL INFORMATION CONTAINED HEREIN ARE BASED UPON INFORMATION AND/OR TESTS WE BELIEVE TO BE ACCURATE AND RELIABLE. SINCE CONDITIONS OF USE ARE BEYOND OUR CONTROL, THE USER SHALL DETERMINE THE SUITABILITY OF THE PRODUCT FOR THE INTENDED USE AND ASSUME ALL RISK AND LIABILITY WHATSOEVER IN CONNECTION THEREWITH.

Tolerances: Unless Otherwise Specified:
 XX = ±0.05 [13]
 .XXX = ±0.03 [08]
 Diameter
 .XX = ±0.03 [03]
 .XXX = ±0.01 [03]

DRAWN BY:	DATE:
Jeff McVicker	12/23/03
CHECKED BY:	DATE:
Jason Nash	04/03/08
APPROVED BY:	DATE:
Jason Nash	04/03/08

DRAWING TITLE:

SMA Reverse Polarity Crimp Plug

SIZE	DWG. NO.	ELECTRONIC FILE	REV
A	SPC10048	18C1921.dwg	A
SCALE:	NTS	U.O.M.: INCHES [mm]	SHEET: 1 OF 1

SPECIFICATIONS:

IMPEDANCE: 50 Ohms
 FREQUENCY RANGE: 0-12.4 GHz
 INSERTION LOSS(dB): 0.03 x f(GHz)
 WORKING VOLTAGE: 500 V rms Max. @ Sea Level
 INSULATION RESISTANCE: 5,000 Megohms min.
 TEMPERATURE RANGE: -65°C TO 165°C
 (B) FOR RG-174, 188, 188A, 316/U, ALPHA 9174, 9316, BELDEN 8216, 83269, 83284, 84316 & TIMES LMR-100A CABLE