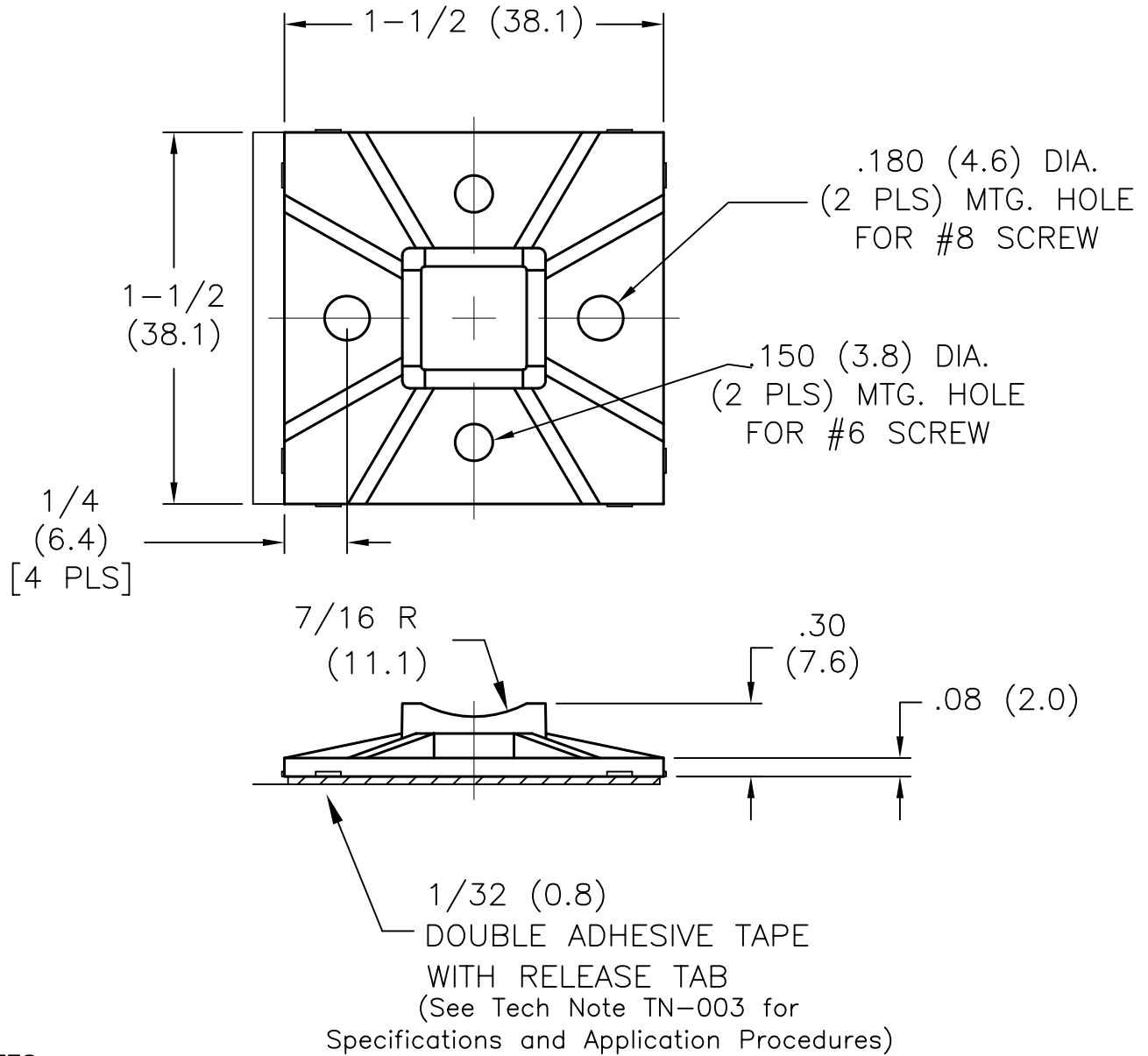


REVISIONS			DOC. NO. SPC-F004 * Effective: 7/8/02 * DCP No: 1398						
DCP #	REV	DESCRIPTION	DRAWN	DATE	CHECKD	DATE	APPRVD	DATE	
380	A	RELEASED	J.W.M.	2/23/98	J.C.	3/13/98	B.B.	3/19/98	
1865	B	RoHS ADDED	DCM	10/18/05	JWM	10/19/05	JWM	10/19/05	



NOTES:

- MAT'L: NYLON 6/6
- Color: Natural
- Accepts up to a 120lb tie
- packed in bags of 100

SPC-F004.DWG

TOLERANCES: Tolerances Unless Otherwise Specified: .XX=±.010 .XXX=±.005 Frac=1/64 Ang=1°	DRAWN BY: Jeff McVicker	DATE: 2/23/98	DRAWING TITLE: Flat Tie Holder			
	CHECKED BY: JOHN COLE	DATE: 3/13/98	SIZE A	DWG. NO. 8408-1026	ELECTRONIC FILE 16N8738.dwg	REV B
	APPROVED BY: BRETT BRAATZ	DATE: 3/19/98	SCALE: NTS		U.O.M.: INCHES [mm]	SHEET: 1 OF 1