



SPC
TECHNOLOGY

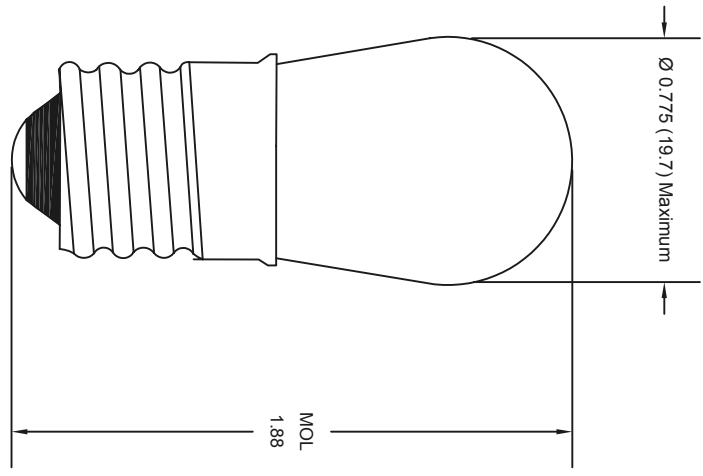
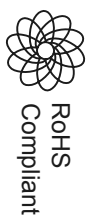
ALL RIGHTS RESERVED. NO PORTION OF THIS PUBLICATION, WHETHER IN WHOLE OR IN PART CAN BE REPRODUCED WITHOUT THE EXPRESS WRITTEN CONSENT OF SPC TECHNOLOGY.

SPC-F005.DWG

REVISIONS

DCP #	REV	DESCRIPTION	DRAWN	DATE	CHECKD	DATE	APPRVD	DATE
			SAH	01-08-10	JAG	05-08-10	XXX	16-08-10

DOC. NO. SPC-F005 * Effective: 7/8/02 * DCP No: 1398



Dimensions : Inches (mm)

Volts	Amps	Watts	Lumens	Filament	Life (hours)
120	0.025	3	11	C-7A	3000

Part Number Table

Description	Part Number
Lamp, S - 6 Candelabra Screw	3S6/5 120V

DISCLAIMER: ALL STATEMENTS AND TECHNICAL INFORMATION CONTAINED HEREIN ARE BASED UPON INFORMATION AND/OR TESTS WE BELIEVE TO BE ACCURATE AND RELIABLE. SINCE CONDITIONS OF USE ARE BEYOND OUR CONTROL, THE USER SHALL DETERMINE THE SUITABILITY OF THE PRODUCT FOR THE INTENDED USE AND ASSUME ALL RISK AND LIABILITY WHATSOEVER IN CONNECTION THEREWITH.

TOLERANCES: UNLESS OTHERWISE SPECIFIED, DIMENSIONS ARE FOR REFERENCE PURPOSES ONLY.

DRAWN BY:	DATE:	DRAWING TITLE:		SCALE:	U.O.M.: INCHES [mm]	SHEET:	1	OF	1
SAH	01-08-10	Lamp, S - 6 Candelabra Screw		NTS					
CHECKED BY:	DATE:	SIZE	DWG. NO.	ELECTRONIC FILE		REV			
JAG	05-08-10	XXX	XXX	16N7498		A			
APPROVED BY:	DATE:								
XXX	16-08-10								