



SPC
TECHNOLOGY

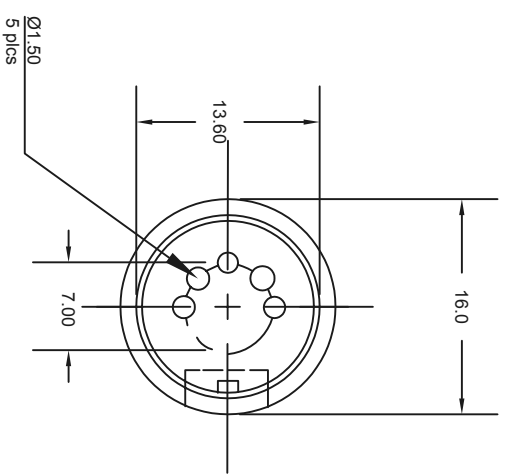
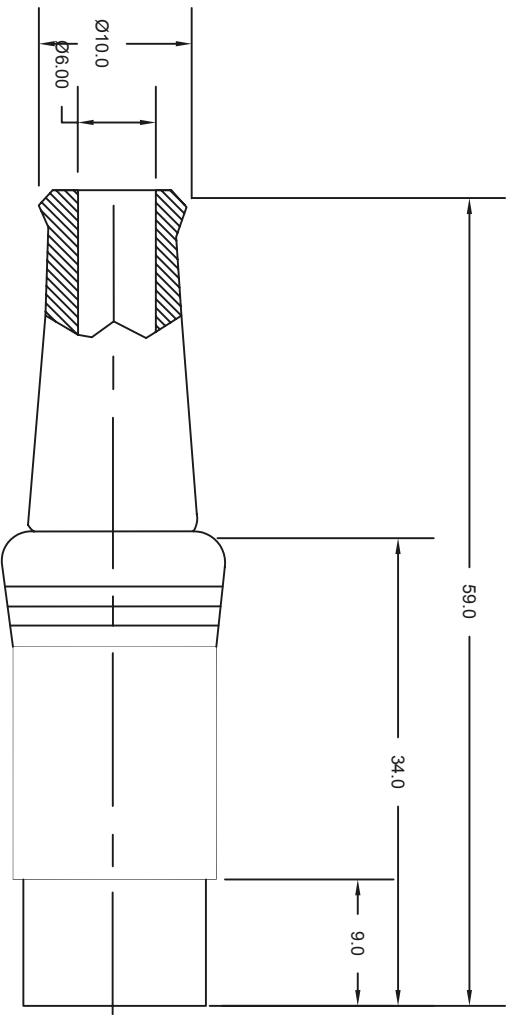
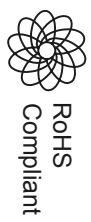
ALL RIGHTS RESERVED. NO PORTION OF THIS PUBLICATION, WHETHER IN WHOLE OR IN PART CAN BE REPRODUCED WITHOUT THE EXPRESS WRITTEN CONSENT OF SPC TECHNOLOGY.

SPC-F005.DWG

REVISIONS

DCP #	REV	DESCRIPTION	DRAWN	DATE	CHECKD	DATE	APPRVD	DATE
			SHA	02-08-10	JAG	11-08-10	XXX	17-08-10

DOC. NO. SPC-F005 * Effective: 7/8/02 * DCP No: 1398



Dimensions : Inches

Item	Description	Material/Finish
4	Cable relief	PVP
3	Insert relief	PPO-1 UL94V-0: Gray
2	Pin	Brass, Tin Plated
1	Housing	Zin Die Cast, Nickel Plated

Specifications:

Electrical:

- Contact rating : 3A at 34 VDC
- Contact resistance : 10 milliohms maximum
- Insulation resistance : 10,000 megohms minimum at 500 VDC
- Dielectric strength : 500 VAC

Mechanical:

- Insertion force : 1.0 to 8.0 kg
- Withdrawal force : 1.0 to 8.0 kg

Environmental:

- Operating temperature : -40°C to 55°C

Part Number Table

Description	Part Number
5 Pin DIN Connector	SPC21461

TOLERANCES:

UNLESS OTHERWISE SPECIFIED, DIMENSIONS ARE FOR REFERENCE PURPOSES ONLY.

DISCLAIMER:
ALL STATEMENTS AND TECHNICAL INFORMATION CONTAINED HEREIN ARE BASED UPON INFORMATION AND/OR TESTS WE BELIEVE TO BE ACCURATE AND RELIABLE. SINCE CONDITIONS OF USE ARE BEYOND OUR CONTROL, THE USER SHALL DETERMINE THE SUITABILITY OF THE PRODUCT FOR THE INTENDED USE AND ASSUME ALL RISK AND LIABILITY WHATSOEVER IN CONNECTION THEREWITH.

DRAWING TITLE:

5 Pin DIN Connector

DRAWN BY:	DATE:	DRAWING TITLE:	SCALE:	U.O.M.:	SHEET:	OF
SHA	02-08-10	5 Pin DIN Connector	NTS	[mm]	1	1
CHECKED BY:	DATE:	DWG. NO.:	SIZE:	ELECTRONIC FILE	REV	
JAG	11-08-10	XXX	XXX	84N1185	A	
APPROVED BY:	DATE:					
XXX	17-08-10					