

## FRP NEMA rating 3, 3R, 4, 4X, 12, 13 enclosures APO with Polyester Cover

Opaque gray cover with non metallic cover screws



**Screw Cover**

### FEATURES

- Bases and covers are made of hot-molded fiberglass reinforced polyester, dyed in mass
- Protection degree IP67-11 according to IEC 529 and CENELEC EN 60529
- APO series are UL-listed, per UL standard 508 and CSA-certified per STD C22.2 No. 94 type 3, 3R, 4, 4X, 12 and 13
- Temperature resistance -58°F to +302°F (-50°C to +150°C)  
Momentary to +392°F (200°C)
- Halogen-Free

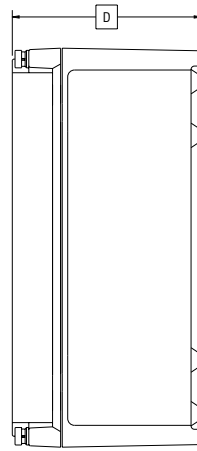
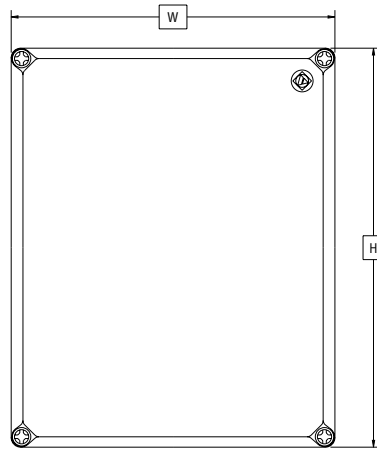
### ACCESSORIES

- Versatile mounting options such as non-metallic and stainless steel mounting feet and pole kits
- Coupling accessories such as coupling cover plates, coupling collars and coupling bridges
- Locks, carrying handle and air vents

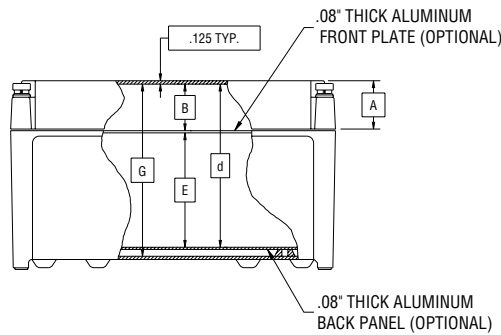
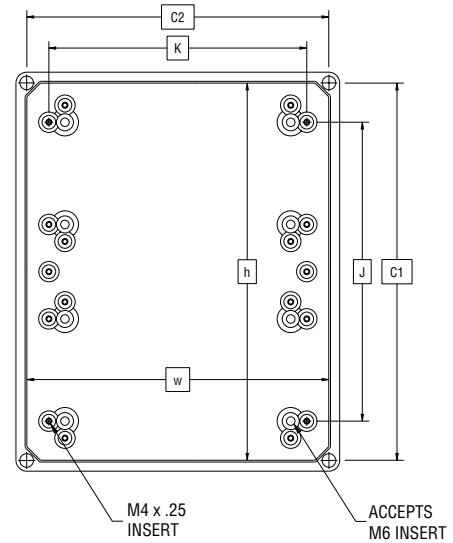
Accessories, see pg. 61

Part Numbers	Outside			Inside			Weight	Backplate			Dimensions H x W	Hinged Aluminum Frontplate
	H	W	D	h	w	d		Aluminum	Steel	Non-Metallic		
<b>A1-706</b> (mm)	7.32 (186)	5.94 (151)	5.50 (140)	6.54 (166)	5.12 (130)	4.52 (115)	2.5 lb 1.14 kg	BP706A	BP706S	BP706N	5.5 x 4.50 (140 x 114)	FPH706A
<b>A31-1207</b> (mm)	11.88 (302)	7.32 (186)	6.88 (175)	11.06 (281)	5.64 (166)	5.85 (149)	4.0 lb 1.81 kg	BP1207A	BP1207S	BP1207N	9 x 5.50 (229 x 140)	FPH1207A
<b>A41-1212</b> (mm)	11.88 (302)	11.88 (302)	6.88 (175)	11.06 (281)	11.06 (281)	5.85 (149)	5.0 lb 2.27 kg	BP1212A	BP1212S	BP1212N	10 x 9 (254 x 229)	FPH1212A
<b>A71-1412</b> (mm)	14.62 (371)	11.88 (302)	6.88 (175)	13.80 (351)	11.06 (281)	5.85 (149)	6.0 lb 2.72 kg	BP1412A	BP1412S	BP1412N	12 x 10 (305 x 254)	FPH1412A
<b>A51-1912</b> (mm)	19.20 (488)	11.88 (302)	6.88 (175)	18.30 (467)	11.06 (281)	5.85 (149)	7.5 lb 3.40 kg	BP1912A	BP1912S	BP1912N	17 x 10.50 (432 x 267)	FPH1912A
<b>A81-2212</b> (mm)	21.93 (557)	11.88 (302)	6.88 (175)	21.10 (536)	11.06 (281)	5.85 (149)	9.5 lb 4.30 kg	BP2212A	BP2212S	BP2212N	19 x 12 (483 x 305)	FPH2212A
<b>A61-2412</b> (mm)	23.78 (604)	11.88 (302)	6.88 (175)	22.80 (579)	11.06 (281)	5.85 (149)	10.0 lb 4.53 kg	BP2412A	BP2412S	BP2412N	21 x 10 (533 x 254)	FPH2412A
<b>A11-2414</b> (mm)	23.78 (604)	14.68 (375)	6.88 (175)	22.80 (579)	13.80 (351)	5.85 (149)	11.8 lb 5.35 kg	BP2414A	BP2414S	BP2414N	21 x 12.75 (533 x 324)	FPH2414A
<b>A12-2424</b> (mm)	23.78 (604)	23.78 (604)	6.88 (175)	22.80 (579)	22.80 (579)	5.85 (149)	17.5 lb 7.93 kg	BP2424A	BP2424S	BP2424N	21.88 x 21.88 (556 x 556)	FPH2424A

\*\* (13 gauge) 1/4 turn screws available, specify FP025A



FRONT VIEW-COVER REMOVED



Part Numbers	Outside			Inside			Dimensions							
	H	W	D	h	w	d	A	B	C1	C2	E	G	J	K
<b>A1-706</b> (mm)	7.32 (186)	5.94 (151)	5.50 (140)	6.54 (166)	5.12 (130)	4.52 (115)	1.77 45	1.65 42	6.54 166	5.15 131	2.79 71	4.91 125	3.54 90	3.74 95
<b>A31-1207</b> (mm)	11.88 (302)	7.32 (186)	6.88 (175)	11.06 (281)	5.64 (166)	5.85 (149)	1.77 45	1.65 42	11.06 281	6.54 166	4.12 105	6.37 162	4.92 125	8.27 210
<b>A41-1212</b> (mm)	11.88 (302)	11.88 (302)	6.88 (175)	11.06 (281)	11.06 (281)	5.85 (149)	1.77 45	1.65 42	11.06 281	11.06 281	4.12 105	6.37 162	9.45 240	8.27 210
<b>A71-1412</b> (mm)	14.62 (371)	11.88 (302)	6.88 (175)	13.80 (351)	11.06 (281)	5.85 (149)	1.77 45	1.65 42	13.80 351	11.06 281	4.12 105	6.37 162	9.45 240	11.02 280
<b>A51-1912</b> (mm)	19.20 (488)	11.88 (302)	6.88 (175)	18.30 (467)	11.06 (281)	5.85 (149)	1.77 45	1.65 42	18.30 465	11.06 281	4.12 105	6.37 162	9.45 240	15.59 396
<b>A81-2212</b> (mm)	21.93 (557)	11.88 (302)	6.88 (175)	21.10 (536)	11.06 (281)	5.85 (149)	1.77 45	1.65 42	21.10 536	11.06 281	4.12 105	6.37 162	9.45 240	18.35 466
<b>A61-2412</b> (mm)	23.78 (604)	11.88 (302)	6.88 (175)	22.80 (579)	11.06 (281)	5.85 (149)	1.77 45	1.65 42	22.80 579	11.06 281	4.12 105	6.37 162	9.45 240	21.12 536
<b>A11-2414</b> (mm)	23.78 (604)	14.68 (375)	6.88 (175)	22.80 (579)	13.80 (351)	5.85 (149)	1.77 45	1.65 42	22.80 579	13.80 351	4.12 105	6.37 162	12.20 310	20.12 511
<b>A12-2424</b> (mm)	23.78 (604)	23.78 (604)	6.88 (175)	22.80 (579)	22.80 (579)	5.85 (149)	1.77 45	1.65 42	22.80 579	22.80 579	4.12 105	6.37 162	21.30 541	20.12 511