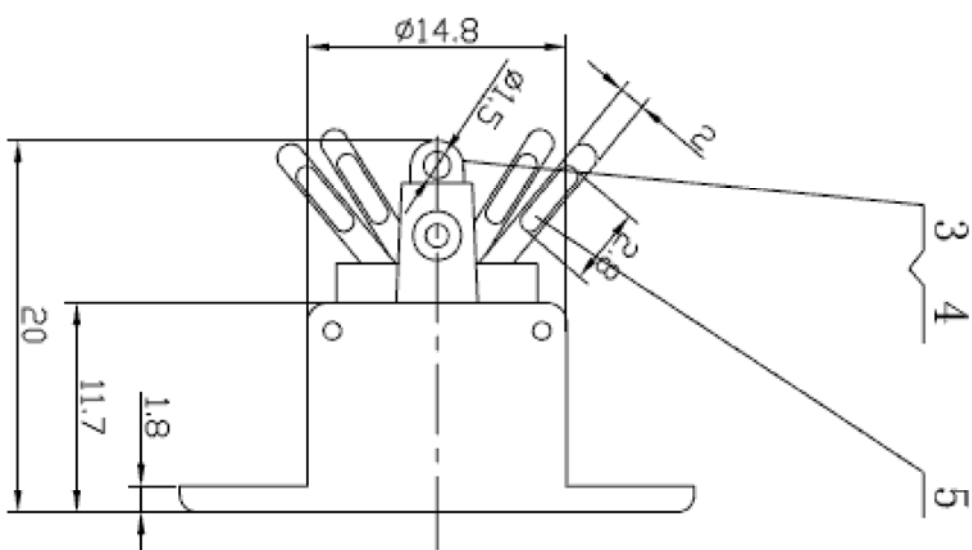
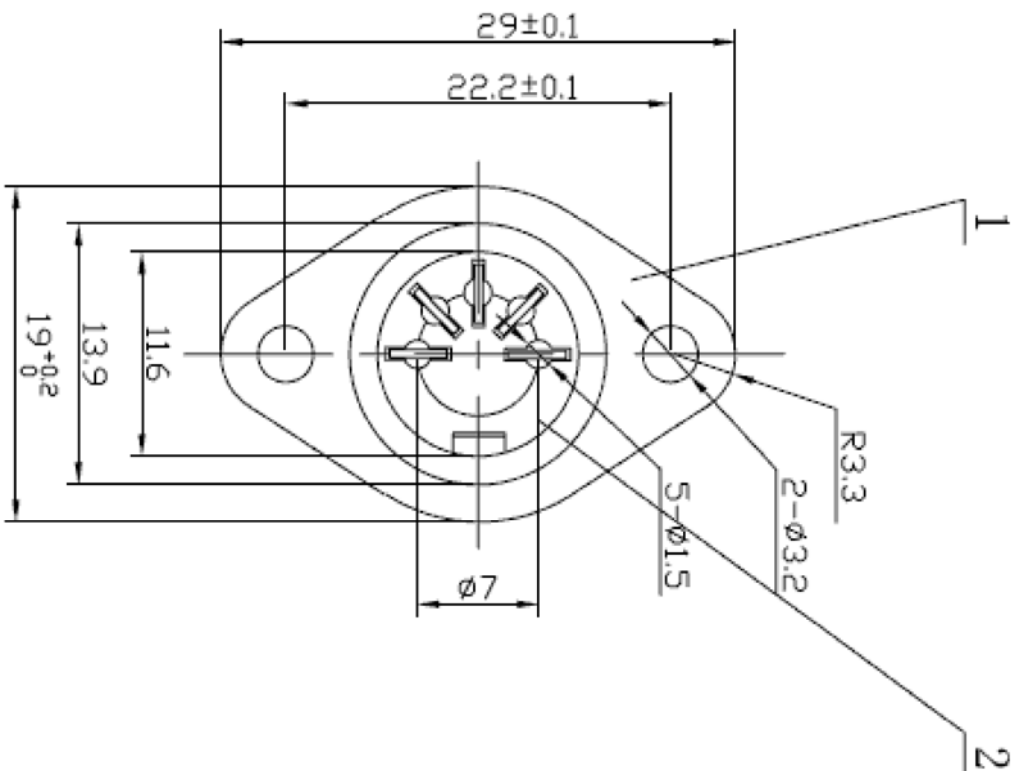
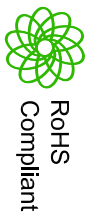


ALL RIGHTS RESERVED. NO PORTION OF THIS PUBLICATION, WHETHER IN WHOLE OR IN PART CAN BE REPRODUCED WITHOUT THE EXPRESS WRITTEN CONSENT OF SPC TECHNOLOGY.

SPC-F005.DWG

REVISIONS		DCP NO.	SPC-F005	Effective:	7/8/02	DCP No.:	1398	
DCP #	REV	DESCRIPTION	DRAWN	DATE	CHECKD	DATE	APPRD	DATE
2090	A	RELEASED	JYC	02/16/10				



Item	Description	Material	Plating
1	Caput Shell	COLD ROLLED METAL	Nickel
2	Core	PBT	
3	Ground Lug	Phosphor Bronze	Nickel
4	Rivet	H68	
5	Shell Metal	H62	Nickel

DISCLAIMER:
ALL STATEMENTS AND TECHNICAL INFORMATION CONTAINED HEREIN ARE BASED UPON INFORMATION AND/OR TESTS WE BELIEVE TO BE ACCURATE AND RELIABLE. SINCE CONDITIONS OF USE ARE BEYOND OUR CONTROL, THE USER SHALL DETERMINE THE SUITABILITY OF THE PRODUCT FOR THE INTENDED USE AND ASSUME ALL RISK AND LIABILITY WHATSOEVER IN CONNECTION THEREWITH.

TOLERANCES:
UNLESS OTHERWISE SPECIFIED, DIMENSIONS ARE FOR REFERENCE PURPOSES ONLY.

DRAWN BY:	Jerrold Chen	DATE:	02/16/10
CHECKED BY:		DATE:	
APPROVED BY:		DATE:	

DRAWING TITLE:		DIN Socket - 5 WAY	
SIZE	DWG. NO.	ELECTRONIC FILE	REV
A	SJ217-5P-1	64R5690.DWG	A
SCALE:	NTS	U.O.M.:	Millimeter
SHEET:	1	OF	1