

Insulated In-Line Banana Jack	5
Insulated Pierced Lug Terminal	5
Insulated Rib-Loc® Solder Terminal	4
Insulated Rib-Loc® Turret Terminal	2
Insulated Solder Terminal	5
Insulated Solder Type	2
Insulated Turret Terminal	4
Miniature Banana Jacks	2
Uninsulated Heavy Duty	6
Uninsulated Heavy Duty Jumbo	6
Uninsulated Rivet Panel Mount: Turret Terminal	3
Uninsulated Rivet Type, Turret Terminal Type	2
Uninsulated Standard Type: Pierced Lug Terminal	3
Uninsulated Standard Type: Slotted Lug Terminal	4

Miniature Banana Jacks & Plugs

APPLICATION • Test equipment



INCHES (MILLIMETERS)
CUSTOMER DRAWINGS AVAILABLE UPON REQUEST

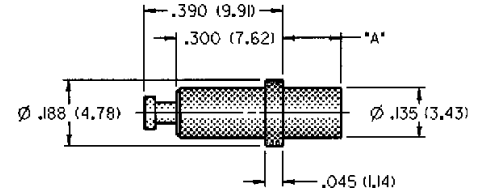
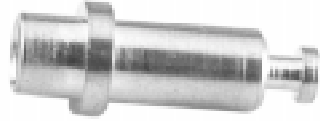
Uninsulated Rivet Type, Turret Terminal Type

SPECIFICATIONS

Jack Body: Brass per QQ-B-626D
Finish: Silver

RATINGS

Current: 10 amps
Contact Resistance: 0.010 ohms maximum



SILVER PLATING		
PART NO.	PANEL THICKNESS	"A" DIMENSION
108-1300-501	.063 (1.6)	.105 (2.67)

For Miniature Banana Plug: .120 (3.00) Across Flats

FEATURES:

- Small size; high current carrying capacity
- Solder turret for rapid wire attachment

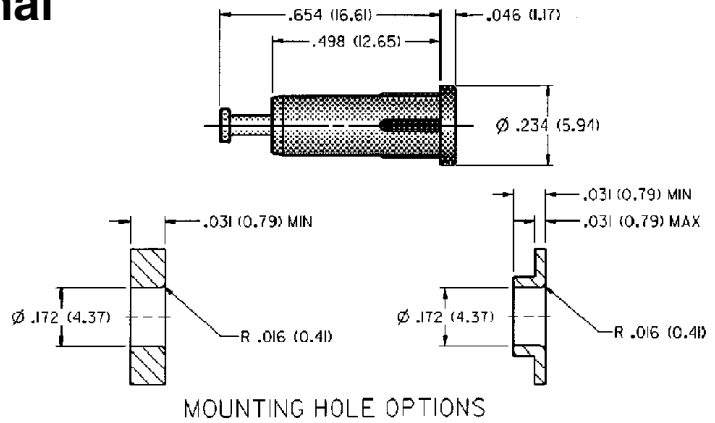
Insulated Rib-Loc® Turret Terminal

SPECIFICATIONS

Contact: Brass per QQ-B-626D
Finish: Silver
Insulated Handle: Nylon 6/6 per ASTM D4066
Panel Thickness: Up to .313 (80)

RATINGS

Current: 10 amps
Breakdown Voltage: 3500 Vrms minimum †
Contact Resistance: 0.010 ohms maximum
Contact-To-Panel C: 2.4 pF nominal



SILVER PLATING			
PART NO.	COLOR	PART NO.	COLOR
108-1102-001	Red	108-1103-001	Black

For Miniature Banana Plug: .120 (3.00) Across Flats

FEATURES:

- Hardwareless Rib-Loc® mounting design
- Nylon UL approved for self extinguishing

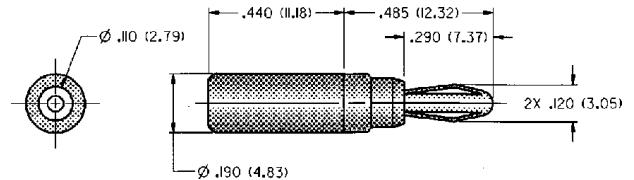
Insulated Solder Type

SPECIFICATIONS

Plug Body: Brass per QQ-B-626D
Plug Spring: Beryllium copper per QQ-C-533
Finish: Nickel
Insulated Handle: Nylon 6/6 per ASTM D4066

RATINGS

Current: 10 amps
Breakdown Voltage: 3500 Vrms minimum †
Contact Resistance: 0.010 ohms maximum



NICKEL PLATING			
PART NO.	COLOR	PART NO.	COLOR
108-1002-001	Red	108-1003-001	Black

For Miniature Banana Jack: .104 (2.64) Diameter

FEATURES:

- Small size for limited space
- Solder terminal accepts up to 18 gauge wire
- Nylon UL approved for self extinguishing

† Avoid user injury due to misapplication. See safety advisory definitions on page 2.

Uninsulated Rivet Panel Mount:

Turret Terminal

SPECIFICATIONS

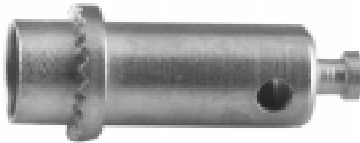
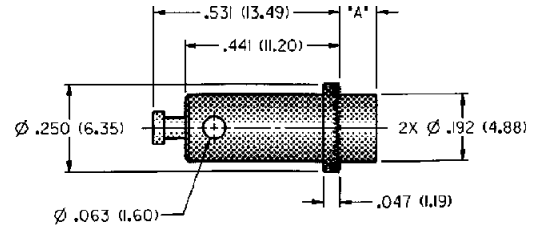
Jack Body: Brass per QQ-B-626D

Finish: Nickel

RATINGS

Current: 15 amps

Contact Resistance: 0.010 ohms maximum



NICKEL PLATING		
PART NO.	PANEL THICKNESS	"A"
108-2300-501	.063 (1.6)	.105 (2.67)

For Standard Banana Plug: .175 (4.44) Across Flats

FEATURES:

- Nickel plated brass body with cross hole
- Low cost, easy mounting banana jack

Uninsulated Standard Type:

Pierced Lug Terminal

SPECIFICATIONS

Jack Body: Brass per QQ-B-626D

Finish: Nickel

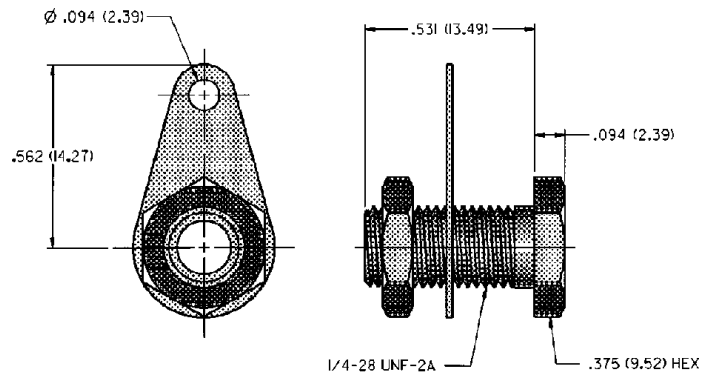
Hardware: Nickel plated nut; stamped tin plated solder terminal (unassembled)

Panel Thickness: Up to .375 (9.50)

RATINGS

Current: 15 amps

Contact Resistance: 0.010 ohms maximum



NICKEL PLATING	
PART NO.	
108-0740-001	

For Standard Banana Plug: .175 (4.44) Across Flats

FEATURES:

- Accepts up to 12 gauge wire
- Hex head for faster installation
- For higher current designs

† Avoid user injury due to misapplication. See safety advisory definitions on page 2.

Banana Jacks

APPLICATION • Test Equipment • Power Supplies



INCHES (MILLIMETERS)
CUSTOMER DRAWINGS AVAILABLE UPON REQUEST

Uninsulated Standard Type: Slotted Lug Terminal

SPECIFICATIONS

Jack Body: Brass per QQ-B-626D

Finish: Nickel

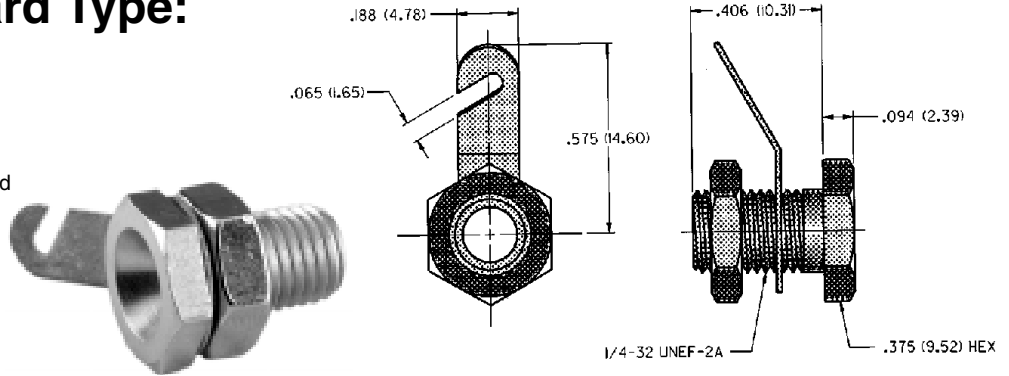
Hardware: Nickel plated nut; stamped tin plated solder terminal (unassembled)

Panel Thickness: Up to .250 (6.35)

RATINGS

Current: 15 amps

Contact Resistance: 0.010 ohms maximum



For Standard Banana Plug: .175 (4.44) Across Flats

FEATURES:

- Accepts up to 12 gauge wire
- Hex head for faster installation
- For higher current designs

NICKEL PLATING	
PART NO.	
108-0740-102	

Insulated Rib-Loc® Solder Terminal

SPECIFICATIONS

Contact: Formed brass per QQ-B-626D

Finish: Bright tin

Body: Nylon 6/6 per ASTM D4066

Panel Thickness: Up to .250 (6.35)

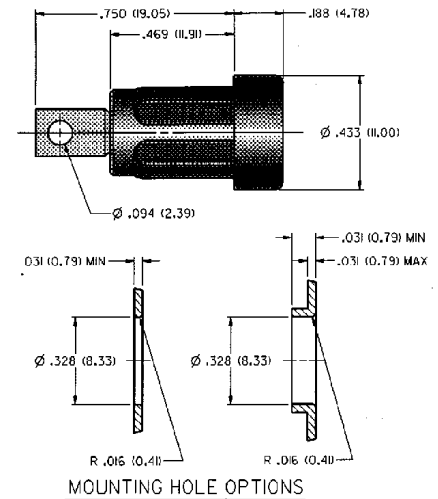
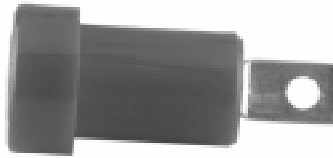
RATINGS

Current: 15 amps

Breakdown Voltage: 7000 Vrms minimum †

Contact Resistance: 0.010 ohms maximum

Contact-To-Panel C: 2.4 pF nominal



For Standard Banana Plug: .175 (4.44) Across Flats

FEATURES:

- Requires no mounting hardware
- Accepts up to 16 gauge wire
- Nylon UL approved for self extinguishing

BRIGHT TIN PLATING			
PART NO.	COLOR	PART NO.	COLOR
108-2301-801	White	108-2304-801	Green
108-2302-801	Red	108-2307-801	Yellow
108-2303-801	Black	108-2310-801	Blue

Insulated Turret Terminal

SPECIFICATIONS

Contact: Machined brass per QQ-B-626D

Finish: Silver

Body: Nylon 6/6 per ASTM D4066

Hardware: Nickel plated nut (unassembled)

Body Thread Stripping Torque: 6.0 lb. in. (7kg. cm.)

Panel Thickness: Up to .343 (8.80)

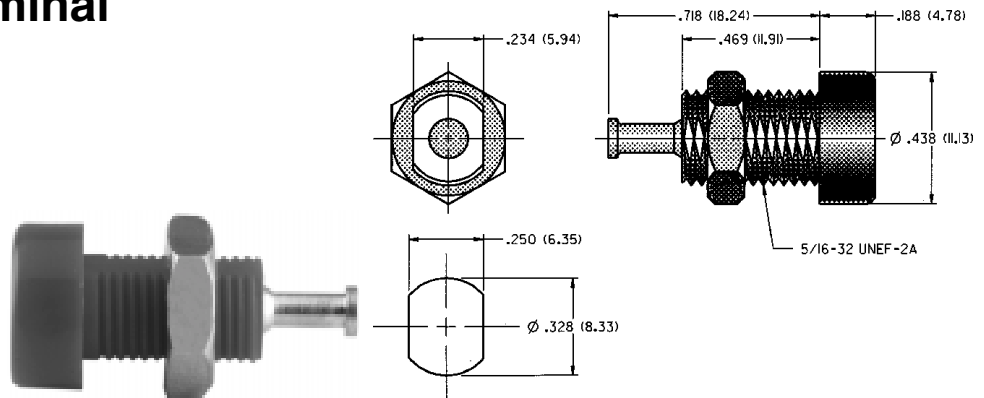
RATINGS

Current: 15 amps

Breakdown Voltage: 7000 Vrms minimum †

Contact Resistance: 0.010 ohms maximum

Contact-To-Panel: 2.4 pF nominal



MOUNTING HOLE LAYOUT

For Standard Banana Plug: .175 (4.44) Across Flats

FEATURES:

- Keyed mounting with double flats
- Nylon UL approved for self extinguishing

SILVER PLATING			
PART NO.	COLOR	PART NO.	COLOR
108-2301-621	White	108-2304-621	Green
108-2302-621	Red	108-2307-621	Yellow
108-2303-621	Black	108-2310-621	Blue

† Avoid user injury due to misapplication. See safety advisory definitions on page 2.

Insulated Solder Terminal

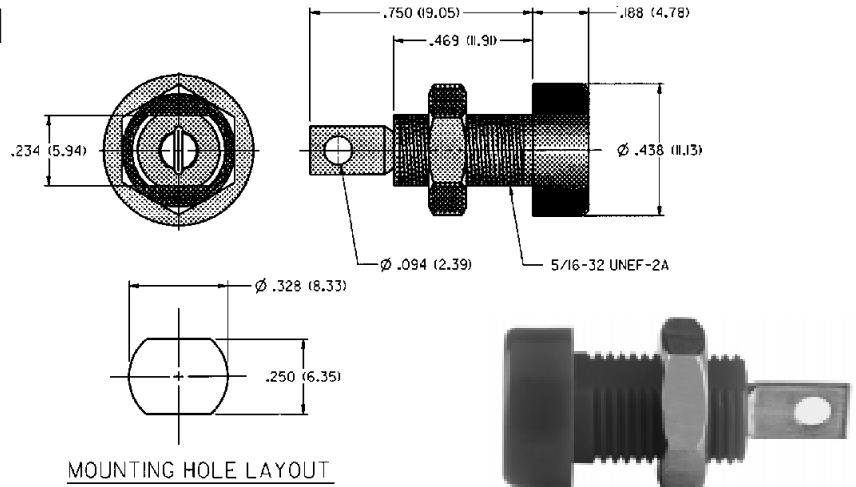
SPECIFICATIONS

Contact: Formed brass per QQ-B-626D
Finish: Bright tin
Body: Nylon 6/6 per ASTM D4066
Hardware: Nickel plated nut (unassembled)
Body Thread Stripping Torque: 6.0 lb. in. (7kg. cm.)
Panel Thickness: Up to .343 (8.80)

RATINGS

Current: 15 amps
Breakdown Voltage: 7000 Vrms minimum †
Contact Resistance: 0.010 ohms maximum
Contact-To-Panel: 2.4 pF nominal

BRIGHT TIN PLATING			
PART NO.	COLOR	PART NO.	COLOR
108-0901-001	White	108-0907-001	Yellow
108-0902-001	Red	108-0908-001	Brown
108-0903-001	Black	108-0910-001	Blue
108-0904-001	Green	108-0912-001	Violet
108-0906-001	Orange	108-0913-001	Gray



MOUNTING HOLE LAYOUT

For Standard Banana Plug: .175 (4.44) Across Flats
FEATURES:

- Keyed mounting with double flats
- Accepts up to 16 gauge wire
- Nylon UL approved for self extinguishing

Insulated Pierced Lug Terminal

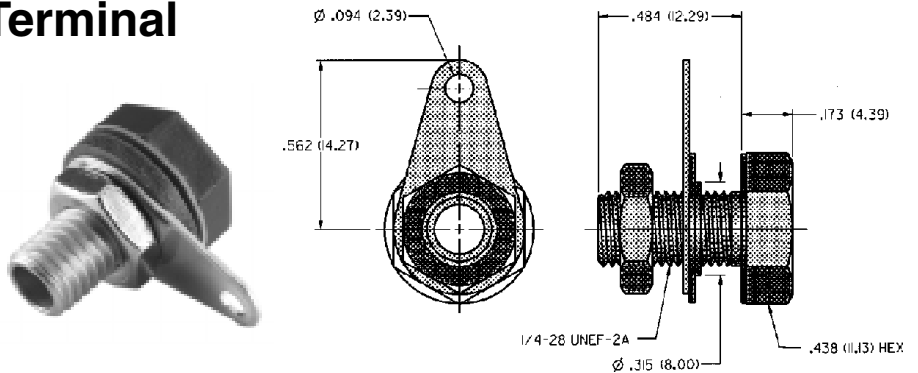
SPECIFICATIONS

Contact: Brass per QQ-B-626D
Finish: Nickel
Hex Head: Molded phenolic
Hardware: Nickel plated nut, fiber insulating washer and stamped tin plated solder terminal (unassembled)
Panel Thickness: Up to .281 (7.15)

RATINGS

Current: 15 amps
Breakdown Voltage: 1500 Vrms minimum †
Contact Resistance: 0.010 ohms maximum
Contact-To-Panel: 2.4 pF nominal

NICKEL PLATING	
PART NO.	COLOR
108-0745-001	Red
108-0745-002	Black



For Standard Banana Plug: .175 (4.44) Across Flats
FEATURES:

- Withstands extreme temperatures and abuse
- Stamped tin plated solder terminal with hole for up to 12 gauge wire
- Integrally molded hex head for fast installation

Insulated In-Line Banana Jack

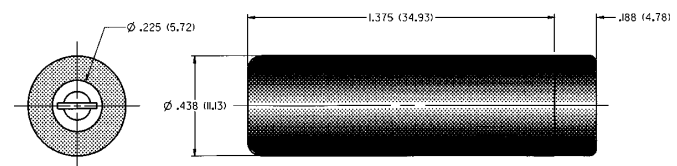
SPECIFICATIONS

Contact: Formed brass per QQ-B-626D
Finish: Bright Tin
Body: Nylon 6/6 per ASTM D4066
Body Thread Stripping Torque: 6.0 lb. in. (7kg cm)

RATINGS

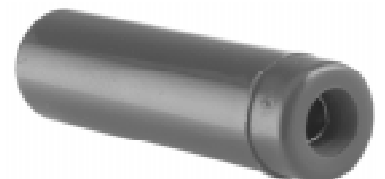
Current: 15 amps
Breakdown Voltage: 7000 Vrms minimum †
Contact Resistance: 0.010 ohms maximum
Contact-To-Panel: 2.4 pF nominal

SILVER PLATING	
PART NO.	COLOR
108-0702-001	Red
108-0703-001	Black



For Standard Banana Plug: .175 (4.44) Across Flats
FEATURES:

- Stamped contact with pierced solder terminal hole
- Nylon UL approved for self extinguishing
- Accepts wire sizes up to 16 gauge
- For in-line applications
- Includes banana jack 108-090x-001



† Avoid user injury due to misapplication. See safety advisory definitions on page 2.

Jumbo Banana Jacks

Uninsulated Heavy Duty

SPECIFICATIONS

Jack Body: Brass per QQ-B-626D

Finish: Nickel

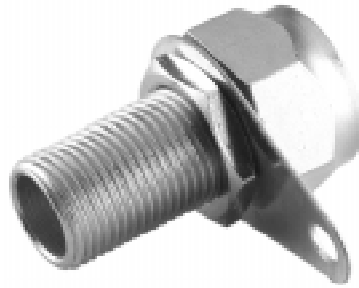
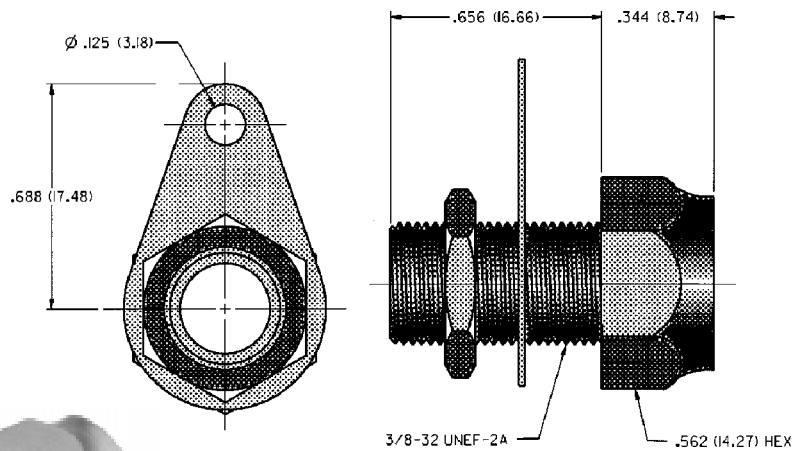
Hardware: Nickel plated nut; stamped tin plated solder terminal (unassembled)

Panel Thickness: Up to .531 (13.50)

RATINGS

Current: 40 amps

Contact Resistance: 0.010 ohms maximum



For Jumbo Size Banana Plug:

.300 (7.62) Across Flats

FEATURES:

- For extremely high current applications
- Accepts up to 10 gauge wire
- Solder terminal with pierced hole
- Withstands severe conditions

† Avoid user injury due to misapplication. See safety advisory definitions on page 2.

NICKEL PLATING
PART NO.
108-0760-001