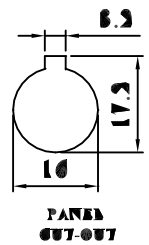
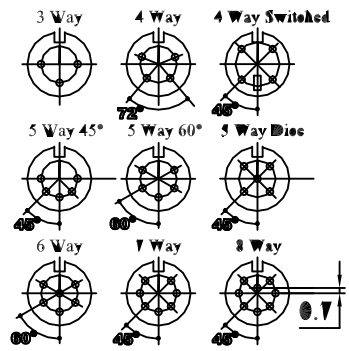
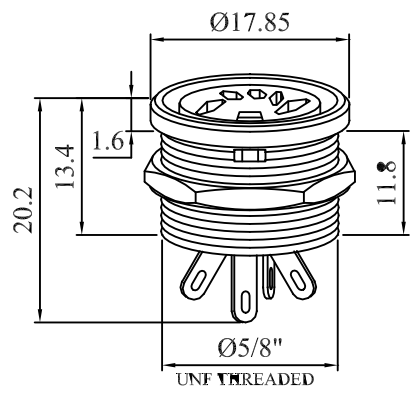


A range of professional chassis mounting sockets, designed for panel mounting via a single hexagonal turned brass nut. These sockets incorporate an anti-rotational locating spigot, and mate with all standard lockable plugs.



| | |
|----------|---------------------------------------|
| Material | |
| Housing | Brass, sprayed with black paint |
| Moulding | Noryl SE1 |
| Contacts | Brass, silver plated |
| Nut | Brass, nickel plated |

Dimensions



| | |
|------------------------------|-----------------------------------|
| Product Specification | |
| Test Voltage: | 1000 V d.c |
| Current Rating: | 4 A |
| Insulation Resistance: | $10^{11} \Omega$ min at 100 V d.c |
| Contact Resistance: | $10^{11} \Omega$ max |
| Capacity (mated): | 3pF |
| Temperature Range: | -25°C to +75°C |

| Type | Deltron No |
|----------------|------------|
| 3 Way | 651-0300 |
| 4 Way | 651-0400 |
| 4 Way Switched | 651-0410 |
| 5 Way 45° | 651-0500 |
| 5 Way 60° | 651-0510 |
| 5 Way Dice | 651-0520 |
| 6 Way | 651-0600 |
| 7 Way | 651-0700 |
| 8 Way | 651-0800 |

CONVERTED FROM PS0481 ISS3 (19.06.96) IN JAN 2003

DrgNo 651 SERIES TITLE PROFESSIONAL CIRCULAR CHASSIS SOCKET (BLACK) ALL DIMENSIONS IN MM ANGLES IN DECIMAL DEGREES

| | | | | | | |
|---|---------|--------------------------------------|---------------------|--------------|---------------------|------------|
| N:\SETUP\AMD_TEMPLATES\Deltron_components.BMP | ISSUE 6 | GENERAL SPECIFICATION FOR 651 SERIES | CUSTOMER | | FILTER REF LGS00187 | |
| | | | Aprvd Date 20/07/06 | Aprvd By BFS | Drwn by BS | Scale: NTS |